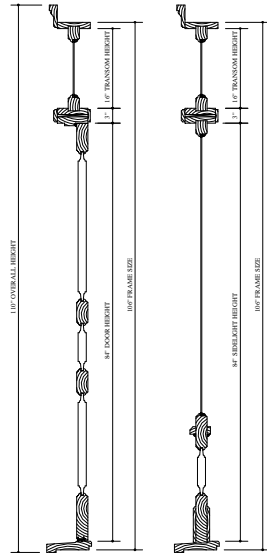
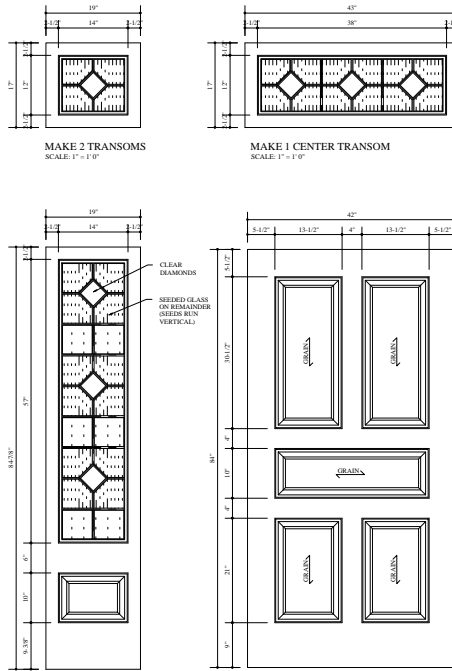


ELEVATION @ FRONT DOOR  
SCALE: 1" = 1' 0"

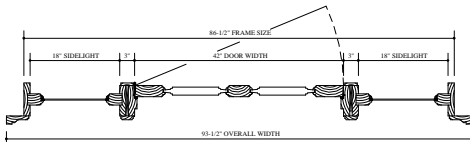


SECTION @ DOOR & SIDELIGHT  
SCALE: 1" = 1' 0"

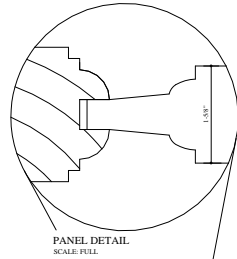


MAKE 2 SIDELIGHTS  
SCALE: 1" = 1' 0"

MAKE 1 DOOR  
SCALE: 1" = 1' 0"

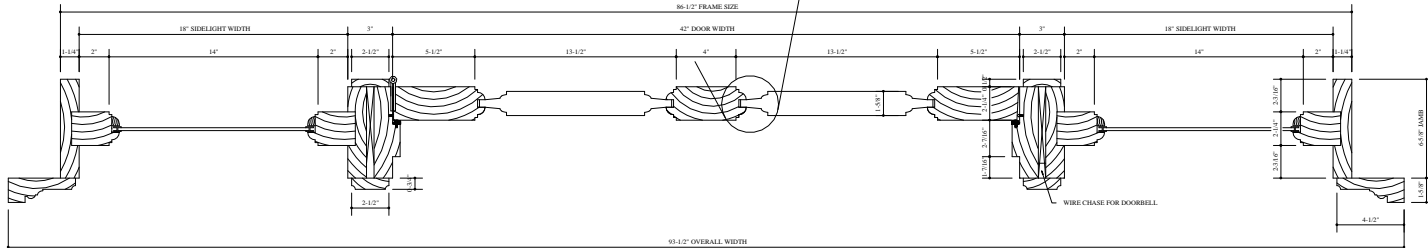


PLAN / SECTION  
SCALE: 1" = 1' 0"

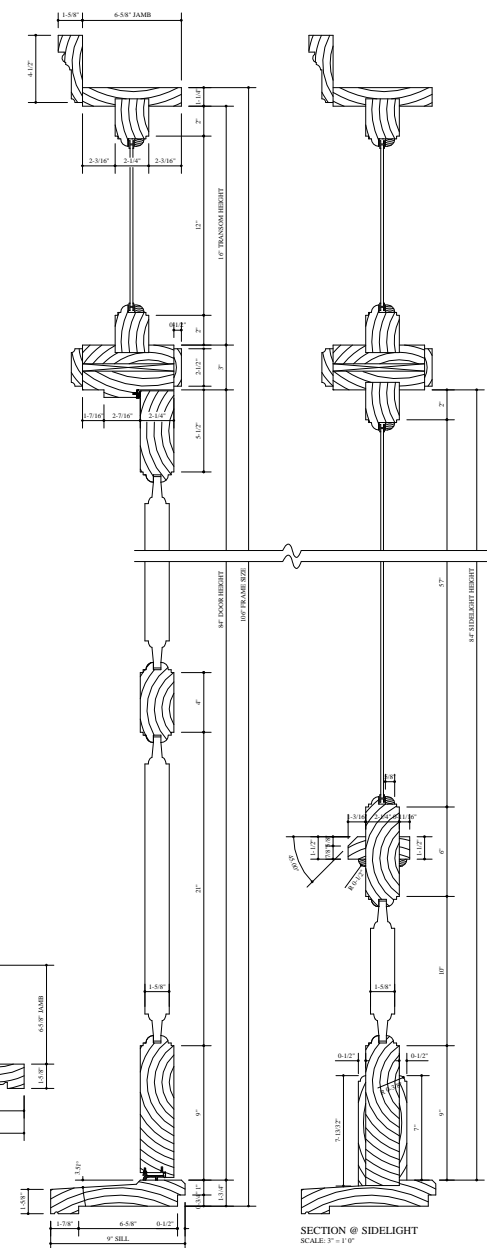


PANEL DETAIL  
SCALE: FULL

SEND EXTERIOR CASING LOOSE



PLAN / SECTION  
SCALE: 1" = 1' 0"



SECTION @ DOOR  
SCALE: 1" = 1' 0"

SECTION @ SIDELIGHT  
SCALE: 1" = 1' 0"

- DOOR**
- ( ) 1/4" B
  - ( ) 1/4" B
  - ( ) 2 1/4"
  - ( ) STAIN GRADE
  - ( ) PAINT GRADE
- SWING**
- ( ) RIGHT HAND
  - ( ) LEFT HAND
  - ( ) INSWING
  - ( ) OUTSWING
  - ( ) DBL DR ACTIVE (R / L)
  - ( ) VIEWED FROM OUTSIDE
- JAMB**
- ( ) SINGLE RABBETED
  - ( ) DOUBLE RABBETED
  - ( ) APPLIED TOP
  - ( ) STAIN GRADE
  - ( ) PAINT GRADE
  - ( ) WIDTH - 6.58"
- SIDELIGHTS AND/OR TRANSOM**
- ( ) STAIN GRADE
  - ( ) PAINT GRADE
- THRESHOLD**
- ( ) MARIOLANY
  - ( ) NOTCHED FOR FLOORING
  - ( ) BRONZE EXTRUDED
- ROUGH OPENING SIZE: 87-4/4" X 86-1/2"**
- CASING - w/ BACKBAND**
- ( ) NONE
  - ( ) SIZE - 1.58" X 4-1/2"
  - ( ) APPLIED
  - ( ) LOOSE
- ASTRAGAL**
- ( ) N.A.
  - ( ) APPLIED
  - ( ) LOOSE
- GLAZING**
- ( ) LEAD TEMPERED
  - ( ) LEAD GLASS
  - ( ) 1/8"
  - ( ) LIGHT RESTORATION
  - ( ) SEEDED W/ CLEAR DIAMONDS
  - ( ) G. CLEAR TEMP.
  - ( ) G. LOW TEMP.
  - ( ) T.L.L. - 7/8" MINIMUM
  - ( ) S.D.L.
  - ( ) SPACER BAR
  - ( ) WHITE
  - ( ) BRONZE
  - ( ) MILL
  - ( ) CHAMPAGNE
  - ( ) GLAZING TAPE
  - ( ) WHITE
  - ( ) GREY
  - ( ) BLACK
- WEATHERSTRIPPING**
- ( ) WHITE
  - ( ) BRIDGE
  - ( ) BLACK
  - ( ) INTERLOCKING / BY OTHERS
- HARDWARE DOOR**
- ( ) HINGES
  - ( ) QTY / LEAF - 3 W/ BALL TP
  - ( ) SIZE - 4-1/2 X 4-1/2 BR
  - ( ) FINISH
  - ( ) SUPPLIED BY KINGSLAND
  - ( ) BY OTHERS
  - ( ) LOCKSET - TRD
  - ( ) SUPPLIED BY KINGSLAND
  - ( ) BY OTHERS
  - ( ) LAM BOLTS
  - ( ) SPECIAL HARDWARE
- PRIMED**
- ( ) GRAY
  - ( ) WHITE

( ) APPROVED ( ) APPROVED AS CORRECTED  
( ) REVISE AND RESUBMIT ( ) NOT APPROVED

**SHOP DRAWINGS**

( ) ORIGINAL  
( ) FIRST REVISION  
ADDITIONAL REVISIONS @ \$40.00 HR

SIGNATURE OF PURCHASER  
CONTRACT DIMENSIONS,  
QUANTITIES AND DETAILS OF  
PRODUCTS TO BE SUPPLIED BY:

APPROVED BY: \_\_\_\_\_  
DATE: \_\_\_\_\_

Drawing Title:  
**RAINTREE RIDGE ROAD  
PROJECT FRONT ENTRY  
DOOR 8369**

**KINGSLAND**  
7 Colebrook Rd.  
Norfolk CT 06058  
Phone (860) 542-6981  
Fax (860) 542-1752

Date: \_\_\_\_\_ Scale: AS NOTED  
Page #: \_\_\_\_\_ Drawn by: MKB2  
Revision: \_\_\_\_\_

Drawing No:  
**D-1**